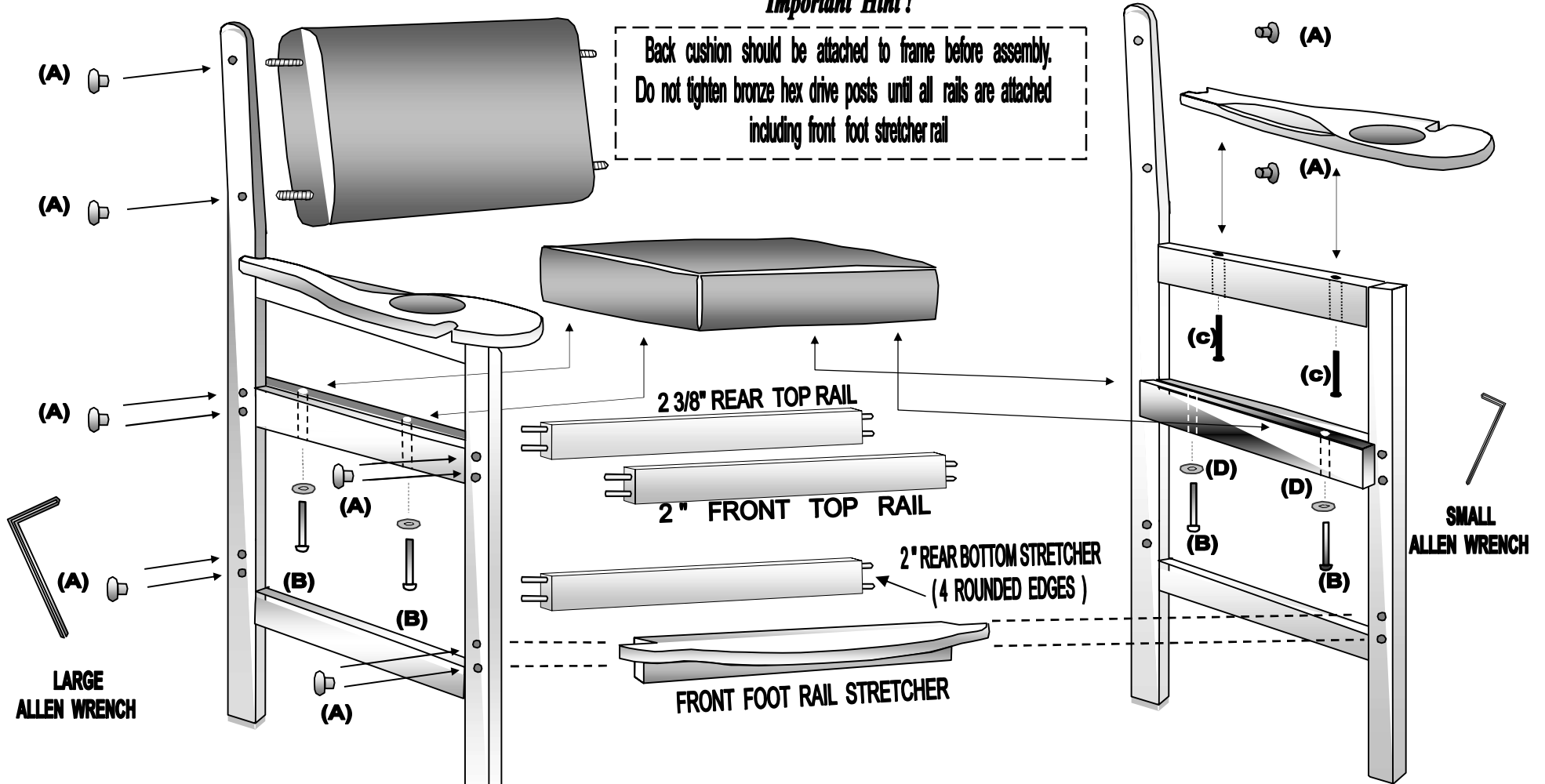


# ASSEMBLY INSTRUCTIONS

## Models # 777, 977, 1777, 707, 907, 1707

**Important Hint!**

Back cushion should be attached to frame before assembly.  
 Do not tighten bronze hex drive posts until all rails are attached including front foot stretcher rail



**LARGE ALLEN WRENCH**





**SMALL ALLEN WRENCH**

**(A)**

**(B)**

**(C)**

**(D)**

<p>(20) Qty. BRONZE HEX DRIVE POST</p> 	<p>(4) Qty. PAN HEAD MACHINE BOLTS</p> 	<p>(4) Qty. 2 1/2" FLATHEAD ALLEN SCREWS</p> 	<p>(4) Qty. FLAT WASHERS</p> 
--	--	---	--